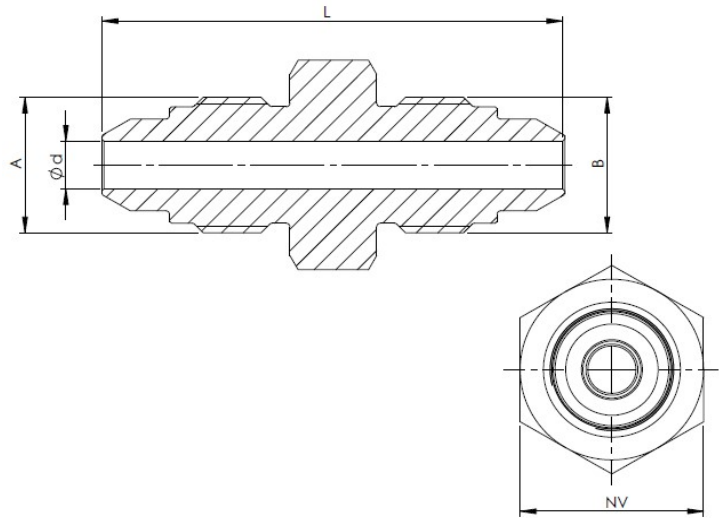


Connector male-male (90162)

Operating pressure:	21.000 psi /1500 bar
Temperature:	-60°C to +200°C
Material body:	AISI316L
Connections:	Cone and thread (male/male)



Catalogue number	L [mm]	NV [mm]	A ["]	B ["]
90162 1/4x1/4	39	14	1/4	1/4
90162 3/8x3/8	48	19	3/8	3/8
90162 9/16x3/8	56	27	9/16	3/8
90162 1x3/4	89	36	1	3/4

Datasheet subject to change without notice

Revision 0