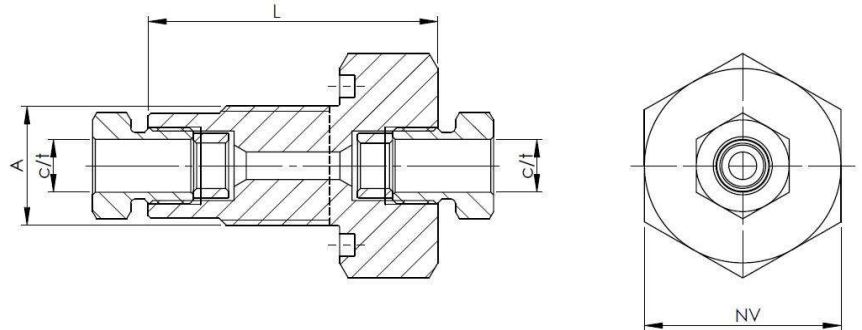


# Bulkhead coupling (90286)

Operating pressure:	1.500 bar/21.500psi
Temperature:	-60°C to +200°C
Material body:	AISI316L
Connections:	Cone and thread



Catalogue number	L [mm]	c/t ["]	NV [mm]	a ["]
90286 1/4	48	1/4	32	*3/4-16UNF
90286 3/8	53	3/8	36	*7/8-14UNF-2A
90286 9/16	61	9/16	41	*1 1/8-12UNF 2A
90286 3/4	72	3/4	48	*1 3/8-12UNF 2A

Datasheet subject to change without notice

Revision 0