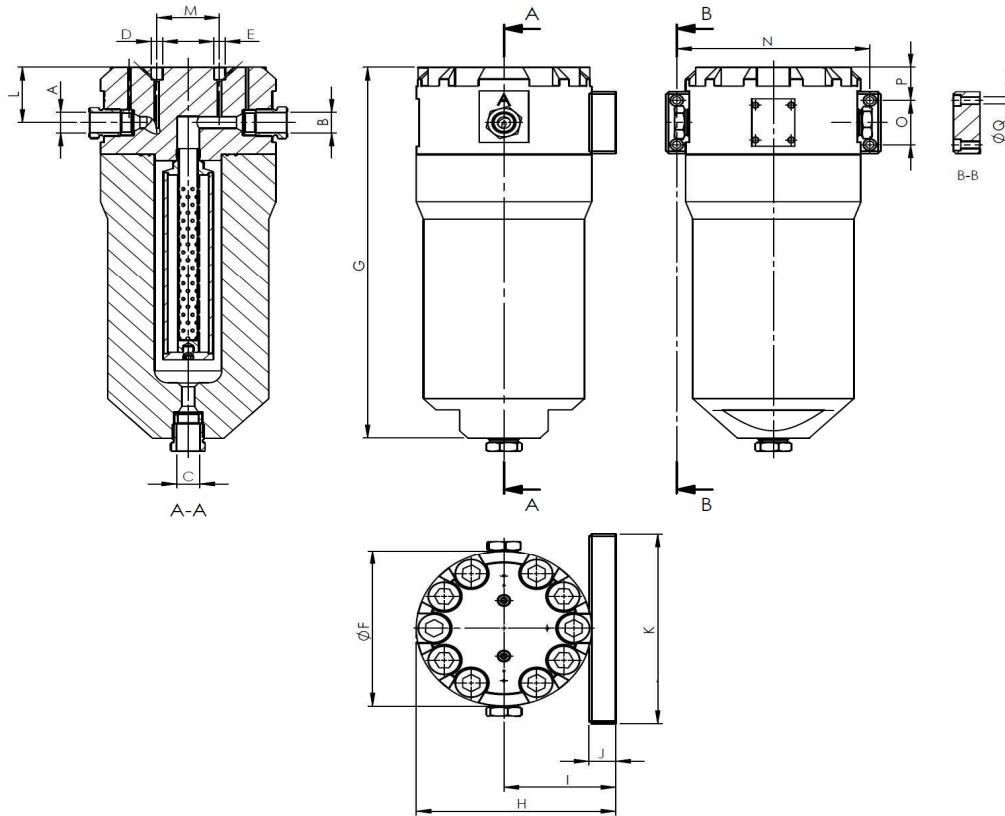


Filter/Strainer for hydraulic separation (9042)

Operating pressure:	1050 bar/15.000 psi	Connections:	Cone and Thread connection
Temperature:	- 40°C to +85°C	Tests:	EN10266-1 P10, 1575 bar water
Material body:	AISI316L	Compliance:	ASME B31.3 & PED (2014/68/EU)
Filtration:	Boro silicate glass micro fiber in epoxy ester, filtration grade 0,01µm 99,99%, other grades on request		



Recommended
flowdirection
B to A

Catalogue number	9042 3/8	9042 9/16	9042 3/4	9042 1
A ["]	3/8	9/16	3/4	1
B ["]	3/8	9/16	3/4	1
C ["]	3/8	9/16	3/4	1
D ["]	1/4	1/4	3/8	3/8
E ["]	1/4	1/4	3/8	3/8
ØF [mm]	130	130	196	196
G [mm]	200	200	470	470
H [mm]	140	140	229	229
I [mm]	75	75	125	125
J [mm]	12,5	12,5	30	30
K [mm]	130	130	240	240
L [mm]	40	40	70	70
M [mm]	60	60	70	70
N [mm]	114	114	221	221
O [mm]	24	24	56	56
P [mm]	28	28	42	42
ØQ [mm]	6,5	6,5	9	9
Kv See note 1	0,86	2,2	4,1	6,9

Note 1: KV values are without filterelements and flow direction B to A

Revision 1

Datasheet subject to change without notice