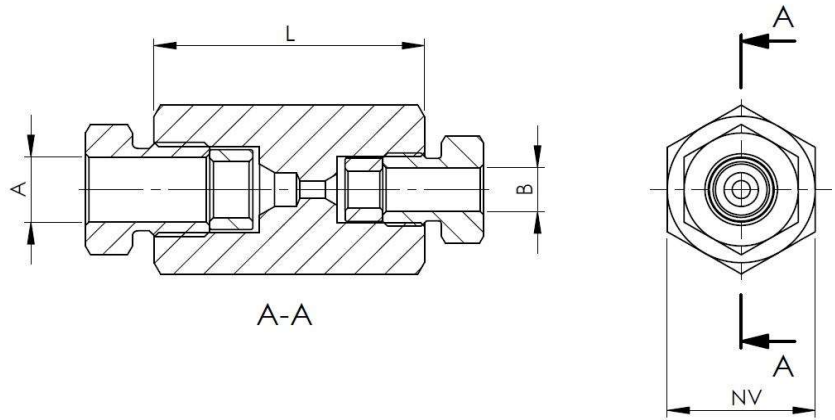


Straight coupling (9062)

Operating pressure:	1.500 bar/21.500psi
Temperature:	-60°C to +200°C
Material body:	AISI316L
Connections:	Cone and thread



Catalogue number	L [mm]	NV [mm]	A ["]	B ["]
9062 1/4	41	17	1/4	1/4
9062 3/8	44,5	19	3/8	3/8
9062 3/8x1/4	40,3	22	3/8	1/4
9062 9/16x1/4	47,5	27	9/16	1/4
9062 9/16x3/8	51	27	9/16	3/8
9062 9/16	54	27	9/16	9/16
9062 3/4x9/16	59	36	3/4	9/16
9062 3/4	63,5	36	3/4	3/4
9062 1	88,9	50	1	1

Datasheet subject to change without notice

Revision 0